

RoHS
compliant

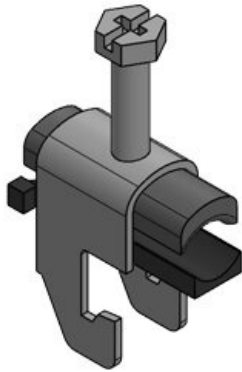
REACH
COMPLIANCE

Specifications

Material	Steel, zinc plated
Properties	vibration proof
Mounting options	Clamping

Advantages & Benefits

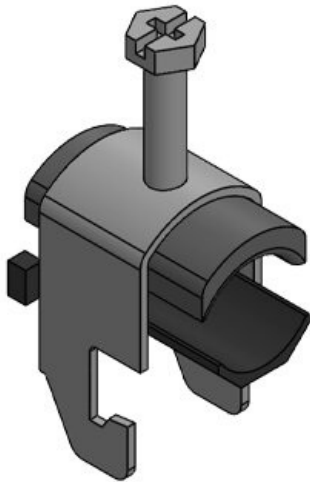
Product types & Sizes



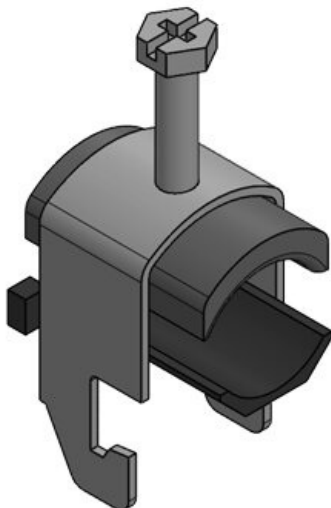
Part No.	32020
EAN	
Package quantity	25
Length	39 mm
Width	16 mm
Mounting height	61 mm
Clamping range	1 x 8 - 12 mm



Part No. **32021**
EAN
Package quantity **25**
Length **39 mm**
Width **20 mm**
Mounting height **66,5 mm**
Clamping range **1 x 12 - 16 mm**



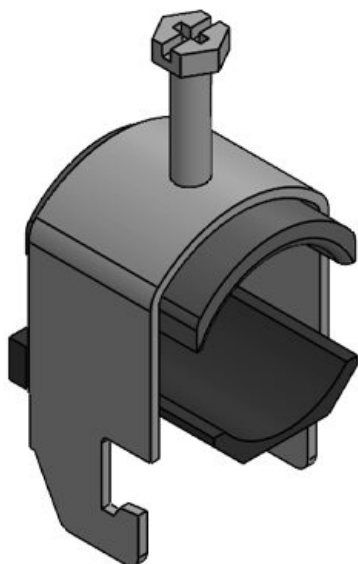
Part No. **32022**
EAN
Package quantity **25**
Length **39 mm**
Width **24 mm**
Mounting height **70,2 mm**
Clamping range **1 x 16 - 20 mm**



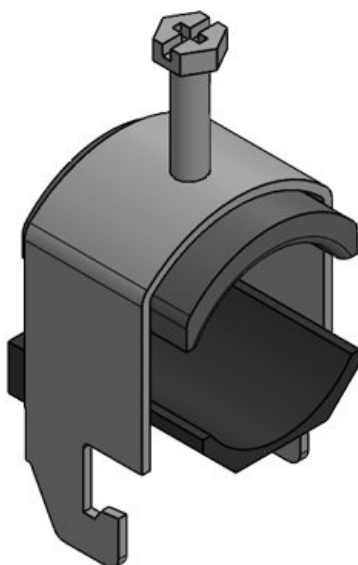
Part No. **32023**
EAN
Package quantity **25**
Length **39 mm**
Width **28 mm**
Mounting height **73,5 mm**
Clamping range **1 x 20 - 24 mm**



Part No. **32024**
EAN
Package quantity **25**
Length **39 mm**
Width **32 mm**
Mounting height **77,5 mm**
Clamping range **1 x 24 - 28 mm**



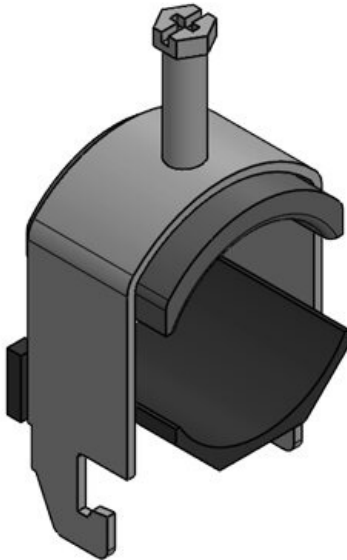
Part No. **32025**
EAN
Package quantity **25**
Length **39 mm**
Width **36,5 mm**
Mounting height **83 mm**
Clamping range **1 x 28 - 32 mm**



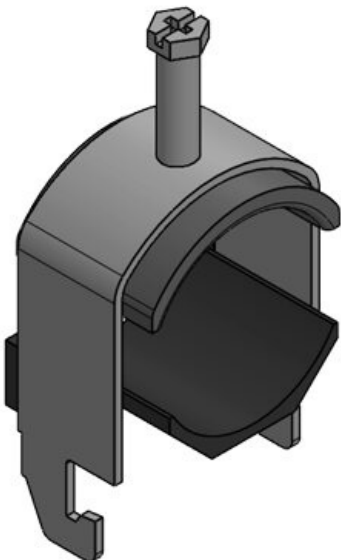
Part No. **32026**
EAN
Package quantity **25**
Length **39 mm**
Width **40,5 mm**
Mounting height **87 mm**
Clamping range **1 x 32 - 36 mm**



Part No. **32027**
EAN
Package quantity **25**
Length **39 mm**
Width **44,5 mm**
Mounting height **93,5 mm**
Clamping range **1 x 36 - 40 mm**



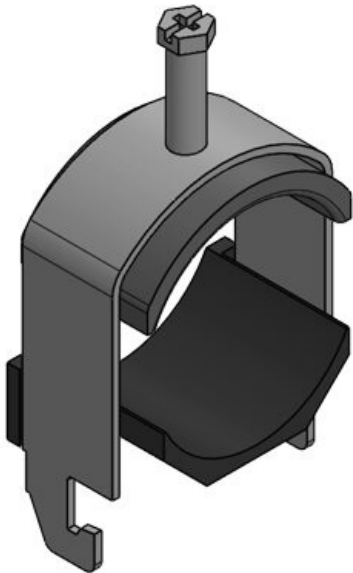
Part No. **32028**
EAN
Package quantity **25**
Length **39 mm**
Width **49 mm**
Mounting height **103 mm**
Clamping range **1 x 40 - 44 mm**



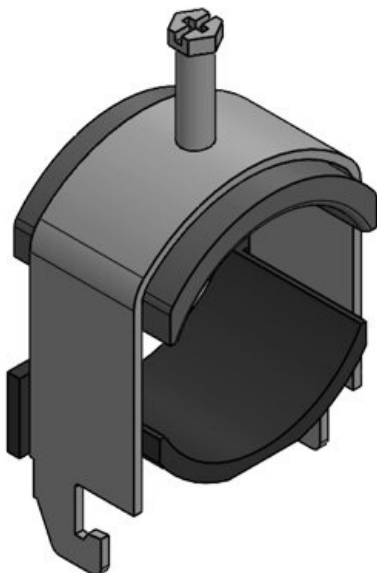
Part No. **32029**
EAN
Package quantity **25**
Length **39 mm**
Width **53 mm**
Mounting height **106 mm**
Clamping range **1 x 44 - 48 mm**



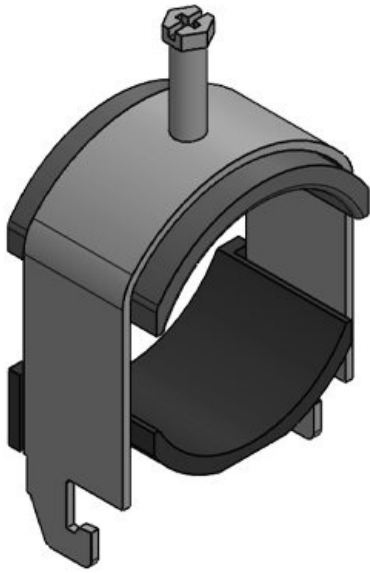
Part No. **32030**
EAN
Package quantity **25**
Length **39 mm**
Width **57 mm**
Mounting height **112 mm**
Clamping range **1 x 48 - 52 mm**



Part No. **32031**
EAN
Package quantity **25**
Length **39 mm**
Width **61 mm**
Mounting height **115,5 mm**
Clamping range **1 x 52 - 56 mm**



Part No. **32032**
EAN
Package quantity **25**
Length **45 mm**
Width **65,5 mm**
Mounting height **120 mm**
Clamping range **1 x 56 - 60 mm**



Part No.	32033
EAN	
Package quantity	25
Length	45 mm
Width	69,5 mm
Mounting height	124 mm
Clamping range	1 x 60 - 64 mm

icotek[®]
smart cable management